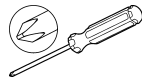


## Instructions For Use—CM130 power cord replacement (9747600)

Refer to the instructions that follow to replace the power cord. Refer to [Figure 1](#).

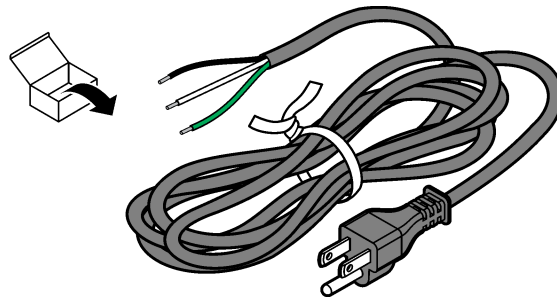
### Items supplied by the user:



Cross-slotted (Phillips) screwdriver



**Figure 1 Power cord**

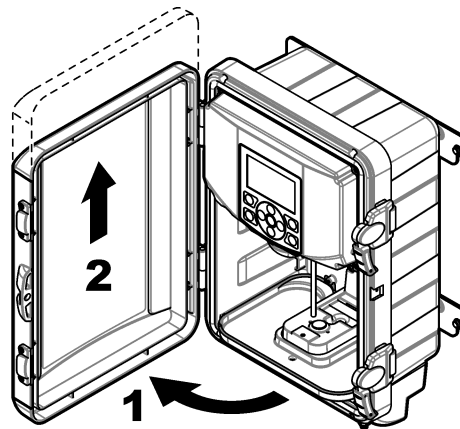


### Remove the door (optional)

## NOTICE

To keep the enclosure environmental rating, make sure to reinstall the door when this procedure is complete.

1. Open the door.
2. Lift the door to remove it from the hinges.



## Remove power

### ⚠ DANGER



Multiple hazards. Only qualified personnel must conduct the tasks described in this section of the document.

### ⚠ DANGER

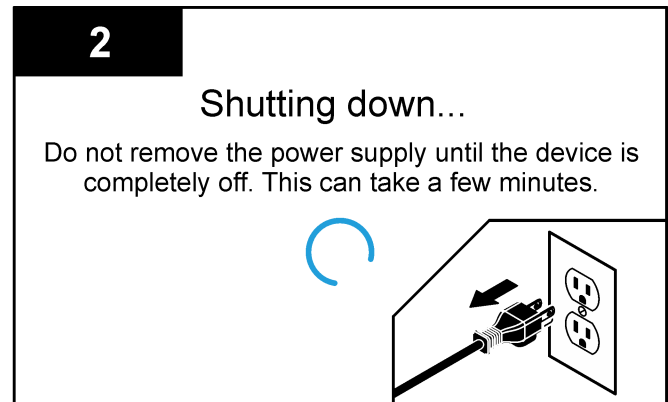
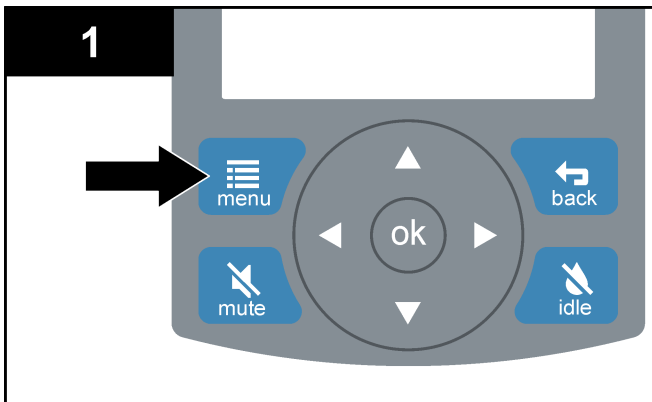


Electrocution hazard. Remove power from the instrument before this procedure is started.

1. Remove power from the analyzer as follows:
  - a. Push **menu**.
  - b. Select Power>shut down.
2. Wait for the analyzer to shut down. When the display is off, disconnect the power cord from the electrical outlet.

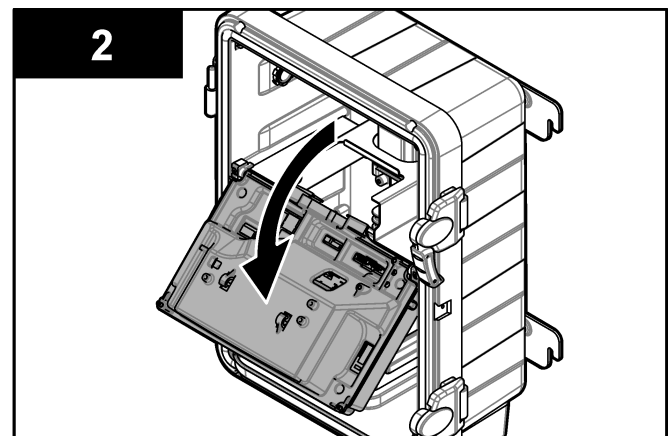
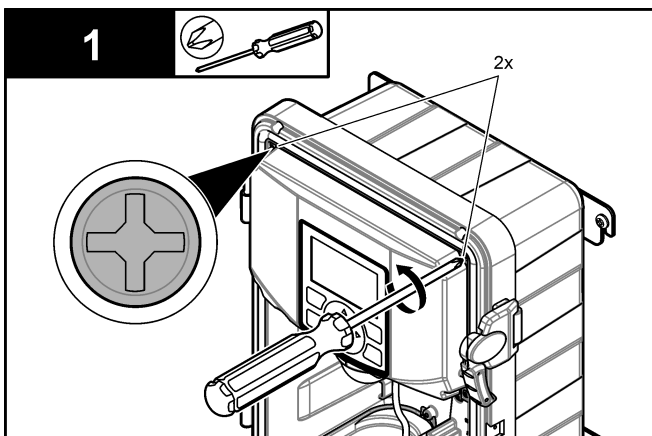
**Note:** For user safety, the analyzer will automatically go back to idle mode if the power cord is not disconnected in 5 minutes or less after the display goes off.

**Note:** When power is removed from the analyzer for more than 10 minutes, the hardware alarm is heard at the remote indicator for approximately 5 minutes.



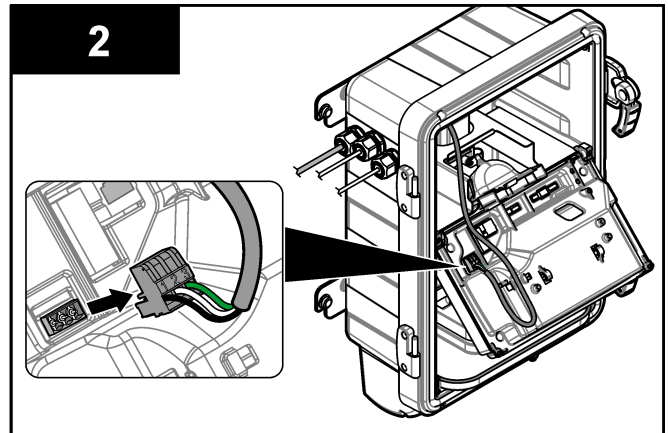
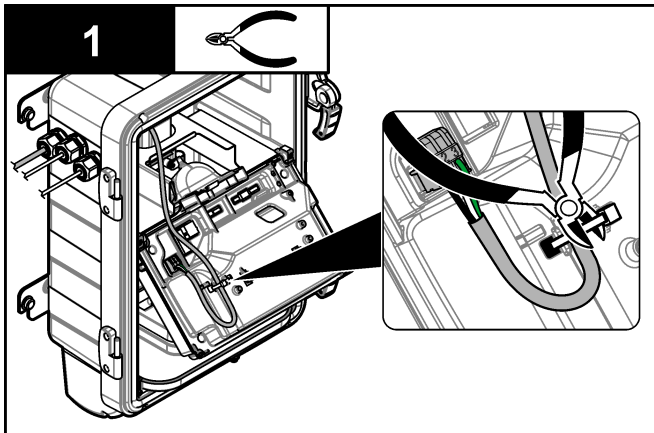
## Lower the front panel

1. Loosen the two captive screws on the top corners of the front panel. Do not remove the screws.
2. Lower the front panel.

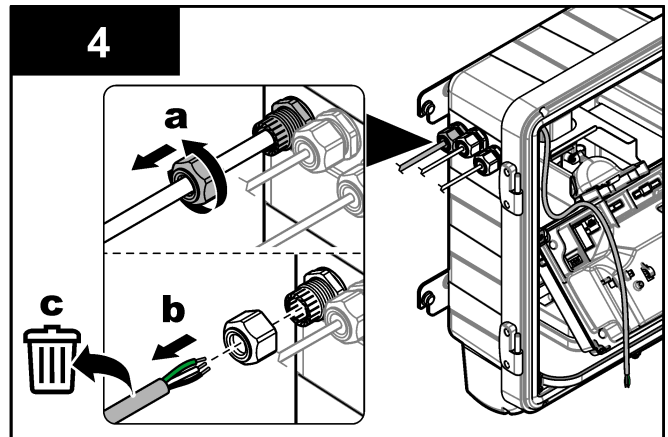
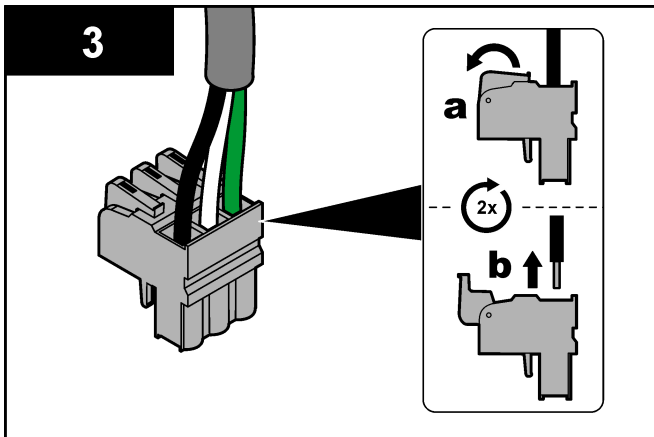


## Remove the power cord

1. Cut the cable tie from the installed power cord.
2. Disconnect the power cord connector from the front panel.



3. Remove the three wires from the power cord connector as follows:
  - a. Fully lift the three latch levers on the connector.
  - b. Remove the wires.
4. Remove the power cord as follows:
  - a. Remove the nut from the strain relief fitting.
  - b. Pull the power cord from the analyzer.
  - c. Discard the power cord.



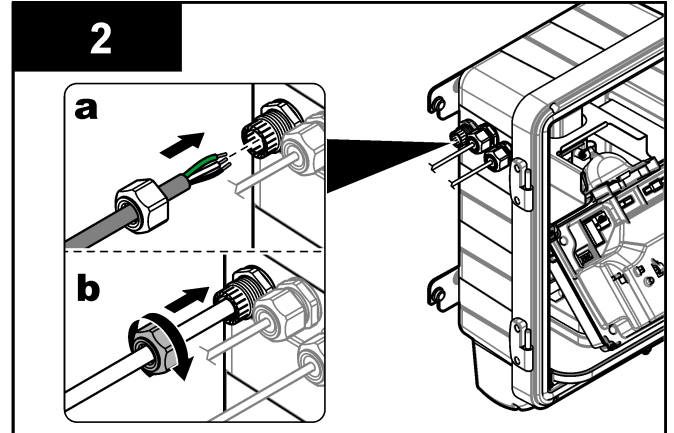
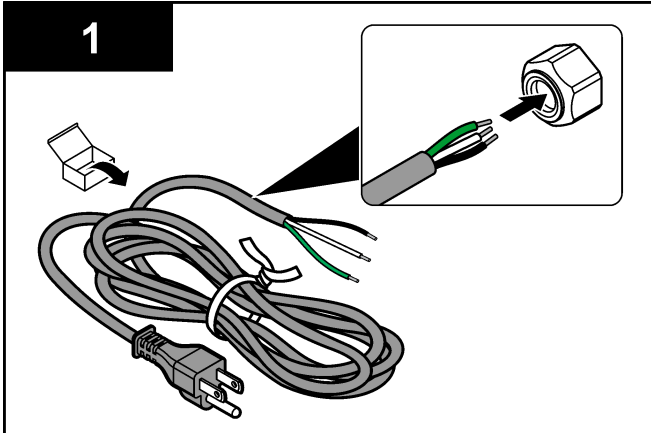
## Install the new power cord

**⚠ DANGER**

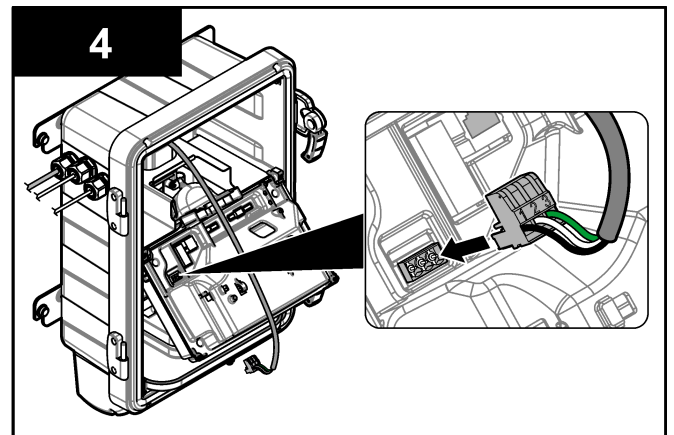
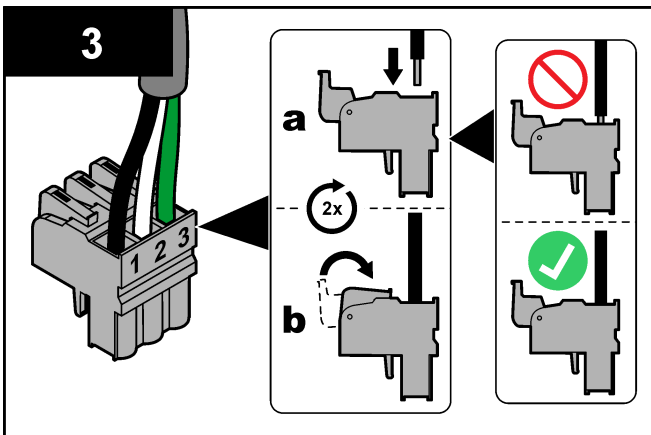


Electrocution hazard. Do not change the length of the outer cable jacket or the length of power cord wire that is not covered.

1. Put the new power cord through the strain relief nut.
2. Put the power cord into the analyzer as follows:
  - a. Pull the power cord through the strain relief fitting. Pull 15 to 20 inches of the power cord into the analyzer so that there is no strain on the power cord when the front panel is open as shown in step 5.
  - b. Put the strain relief nut on the strain relief fitting. Do not tighten the strain relief nut.

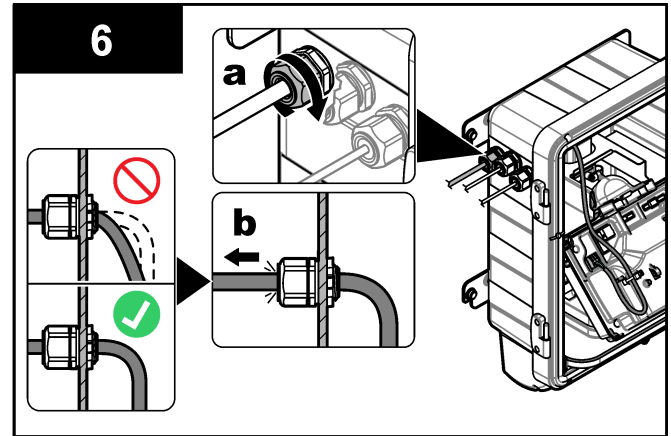
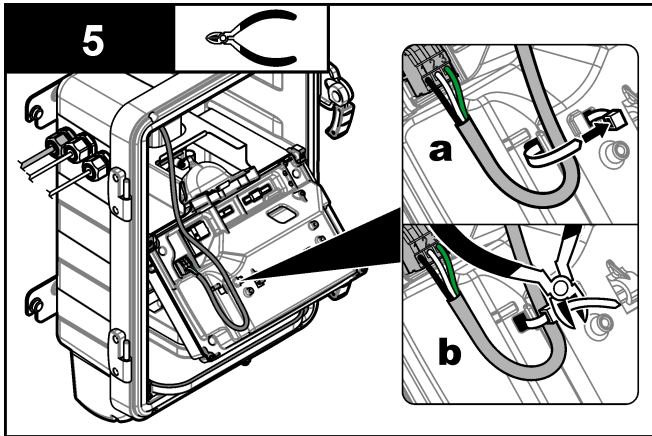


3. Connect the power cord wires as follows:
  - a. Install the power cord wires in the power cord connector.
    - Black wire to Terminal 1 (L)
    - White wire to Terminal 2 (N)
    - Green wire to Terminal 3 (G)
  - b. Push the latch levers on the connector down to hold the wires securely.
4. Connect the power cord connector to the front panel.



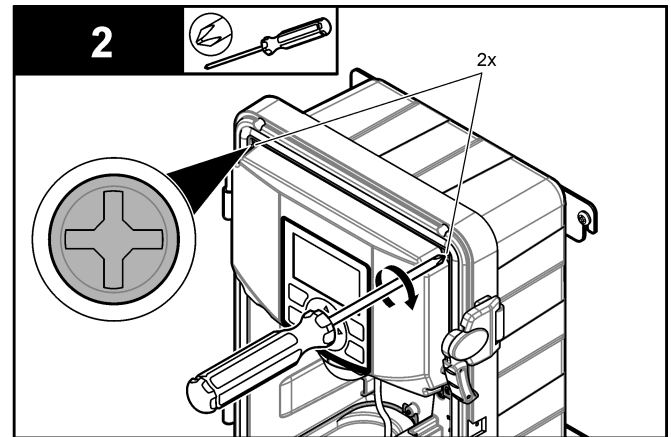
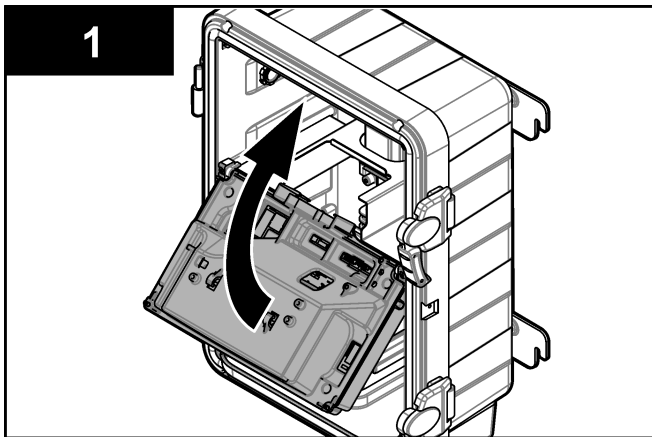
5. Attach the power cord to the front panel with a cable tie as follows:
  - a. Put a cable tie through the cutout in the front panel. Put the power cord in the cable tie. Make sure that there is a bend in the cord between the connector and the cable tie.
  - b. Tighten the cable tie. Cut the cable tie to remove the unwanted length.

**Note:** The cable tie keeps the safe routing of the power cord.
6. Tighten the strain relief nut to hold the power cord securely as follows:
  - a. Tighten the strain relief nut for the power cord.
  - b. Pull the cable to make sure that the cable is held securely by the strain relief.



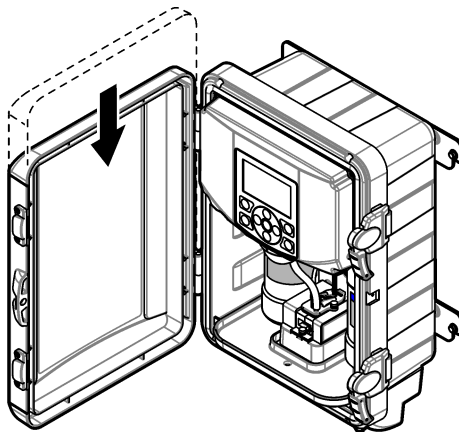
## Close the front panel

1. Lift the front panel.
2. Tighten the screws to keep the front panel up.



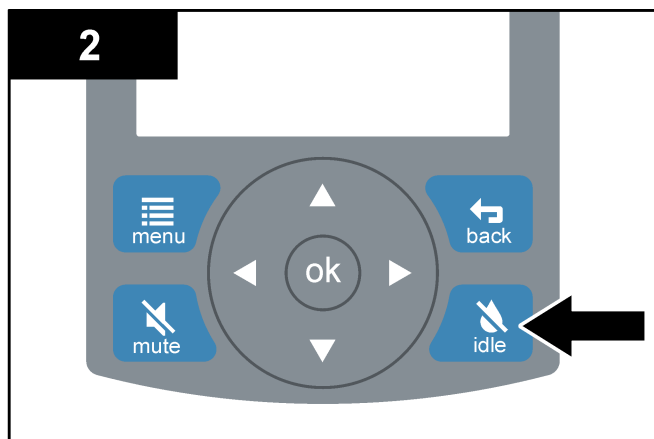
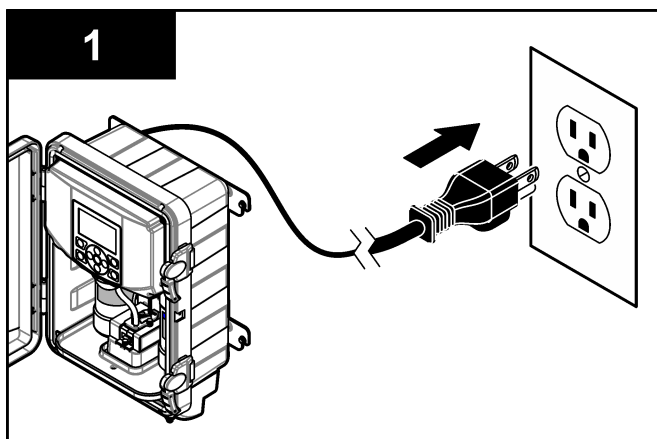
## Install the door

Install the door on the hinges.



## Start the analyzer

1. Connect the power cord to the electrical outlet. Wait for the home screen to show on the display (approximately 2 minutes). The home screen has the word "Idle".
2. When the home screen shows on the display, push **idle** and select continue to set the analyzer to measurement mode. Close the door.



**HACH COMPANY**  
100 Dayton Ave, Ames, IA 50010 U.S.A.  
Tel. (970) 669-3050  
(800) 227-4224 (U.S.A. only)  
Fax (970) 669-2932  
orders@hach.com  
www.hach.com

