

Instructions For Use—CM130 remote indicator replacement (9730100)

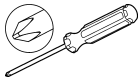


These are replacement instructions. For first-time installation follow the instructions in the CM130 User Manual.



Replace the remote indicator if the lights and speaker of the remote indicator do not operate correctly.

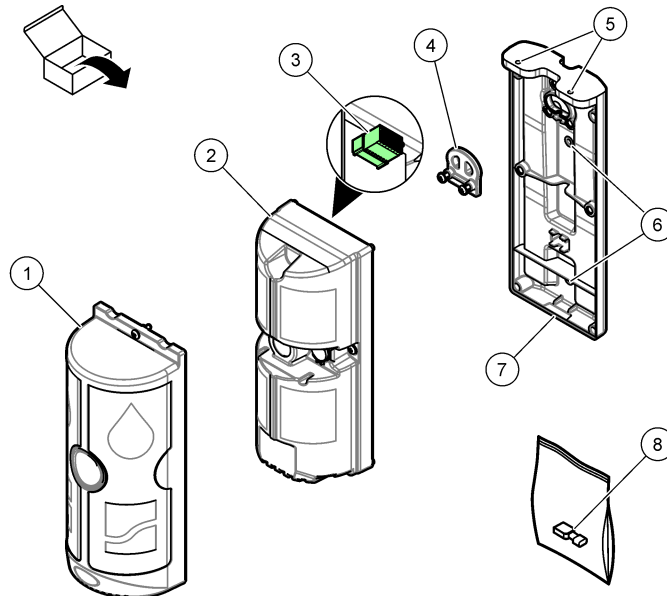
Item supplied by the user:



Cross-slotted (Phillips) screwdriver

Figure 1 shows the remote indicator components that are referred to during remote indicator replacement.

Figure 1 Remote indicator



1 Cover	5 Ceiling mounting holes
2 Housing	6 Wall mounting holes
3 Green, 8-pin connector	7 Backplate
4 Cable strain relief	8 Blade terminal

Remove power

⚠ DANGER



Multiple hazards. Only qualified personnel must conduct the tasks described in this section of the document.

⚠ DANGER

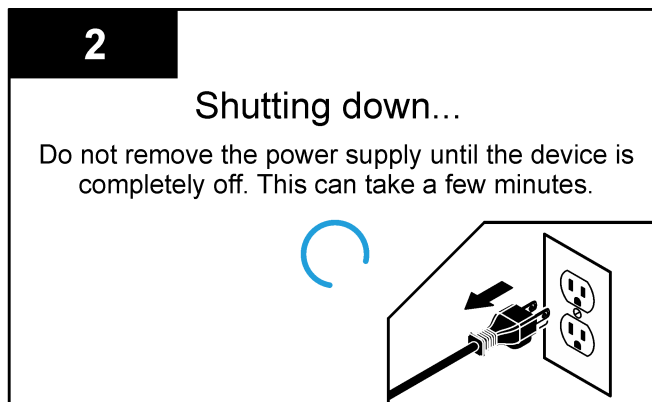
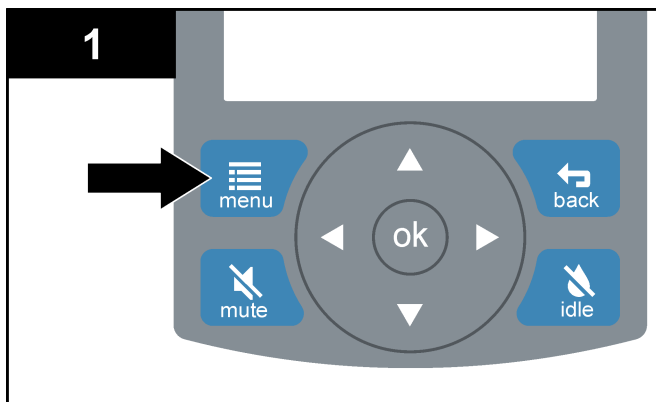


Electrocution hazard. Remove power from the instrument before this procedure is started.

1. Remove power from the analyzer as follows:
 - a. Push **menu**.
 - b. Select Power>shut down.
2. Wait for the analyzer to shut down. When the display is off, disconnect the power cord from the electrical outlet.

Note: For user safety, the analyzer will automatically go back to idle mode if the power cord is not disconnected in 5 minutes or less after the display goes off.

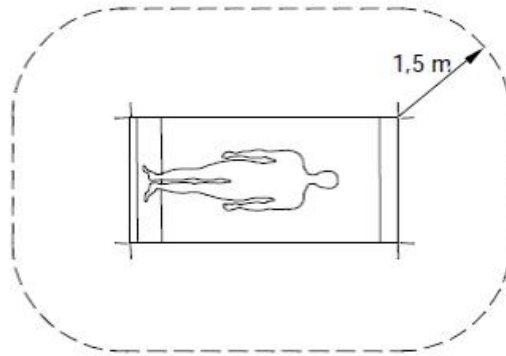
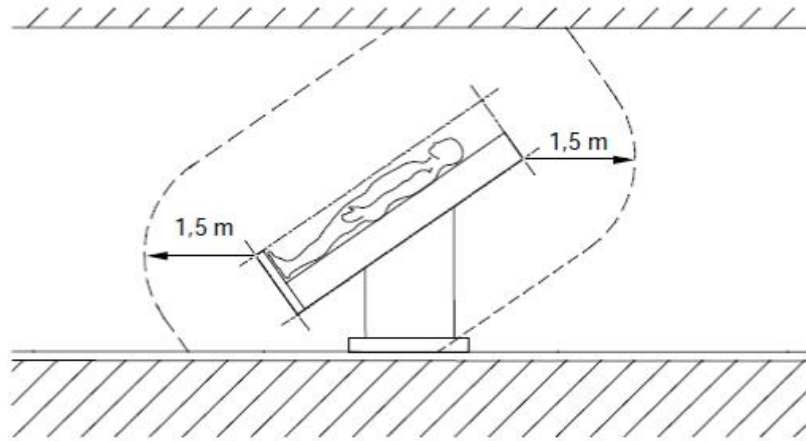
Note: When power is removed from the analyzer for more than 10 minutes, the hardware alarm is heard at the remote indicator for approximately 5 minutes.



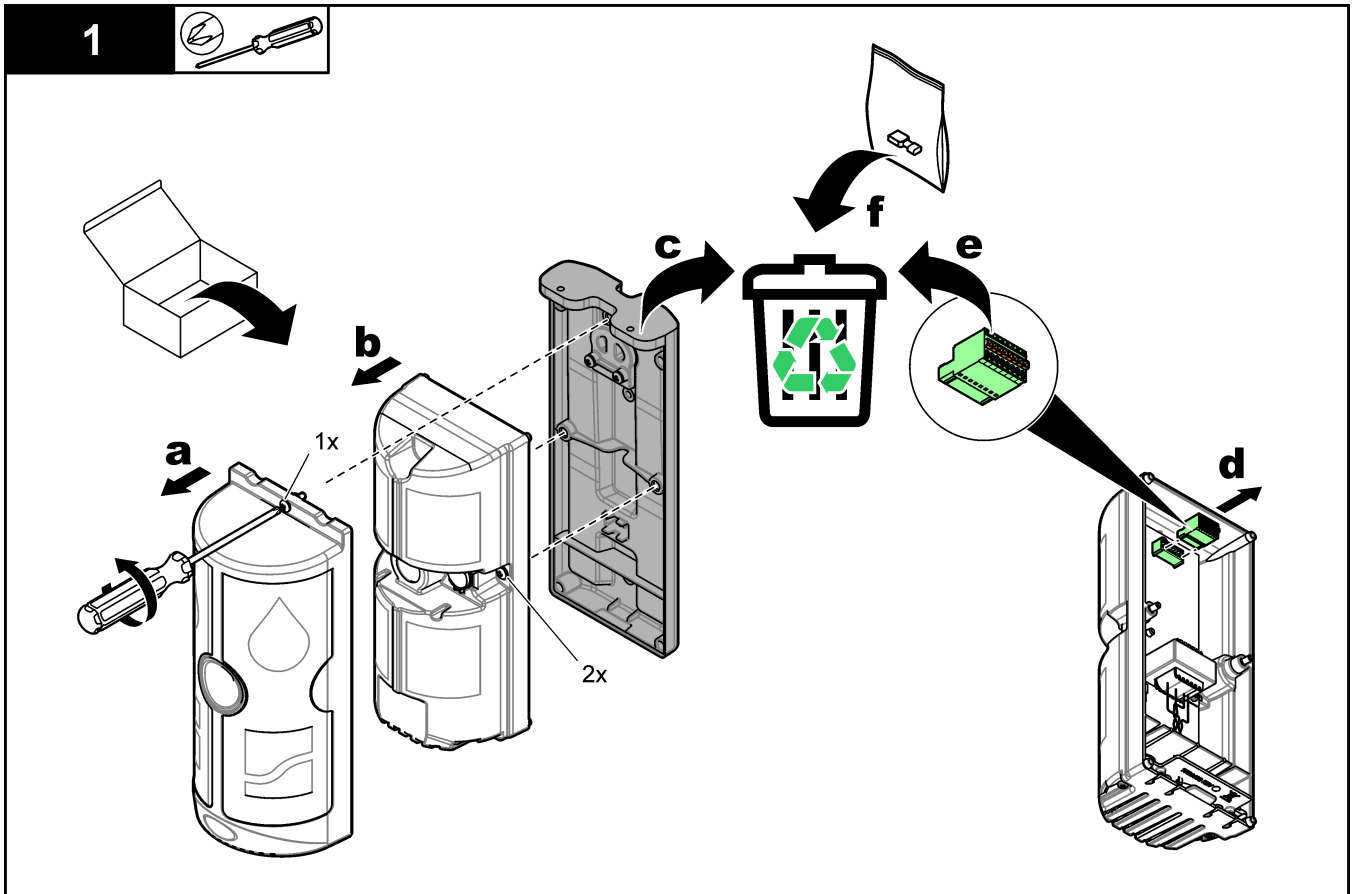
Replace the remote indicator

NOTICE

In accordance with UL 61010-1, the remote indicator must be installed 1.5 m (4.9 ft) or more from patients in the hemodialysis treatment room.

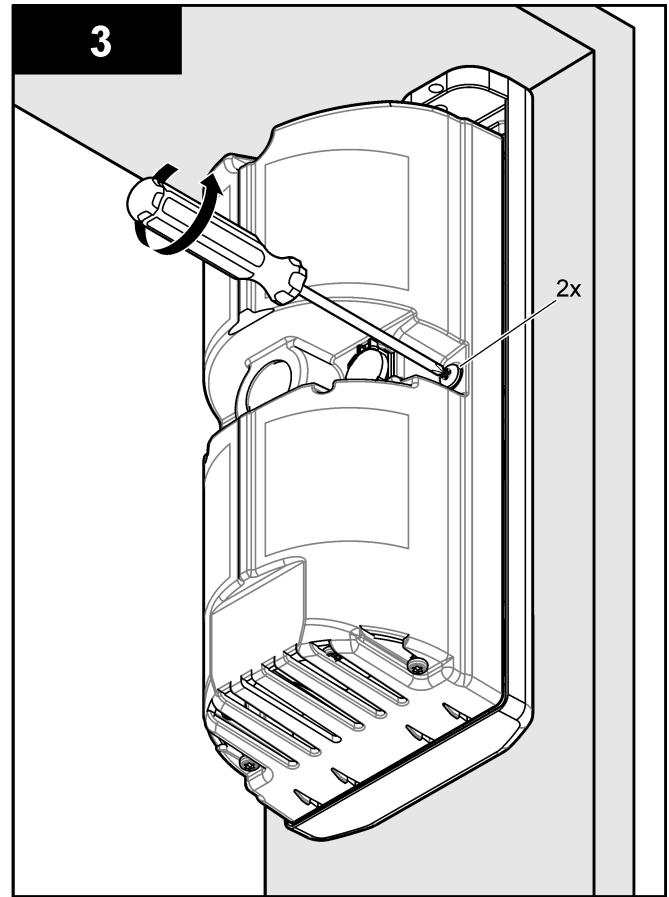
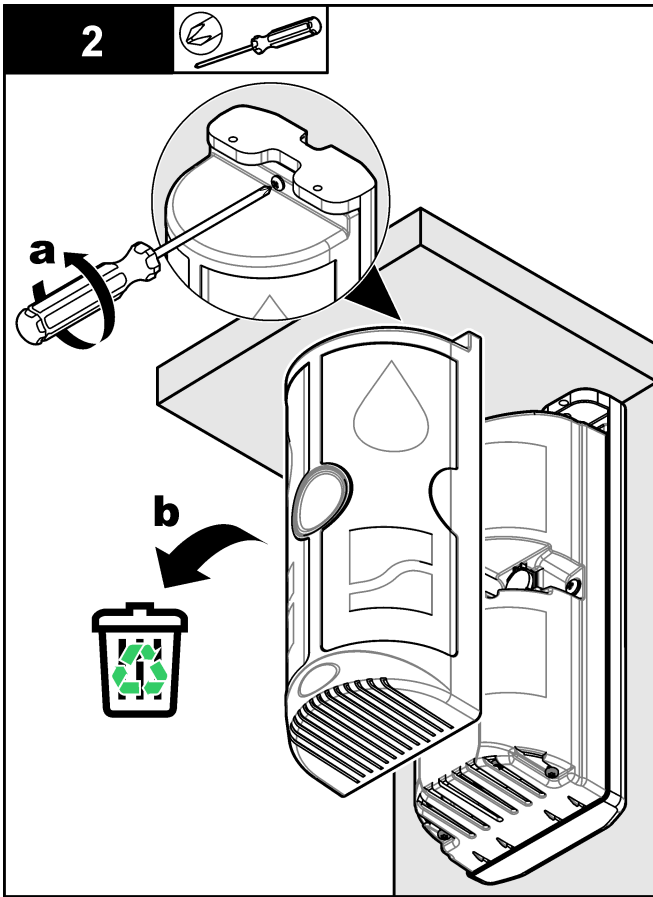


1. Remove the backplate and the green 8-pin connector from the new remote indicator as follows:
 - a. Loosen the captive screw at the top of the remote indicator. Remove the cover.
 - b. Loosen the two captive screws that are on the left and right side of the remote indicator. Remove the housing.
 - c. Discard the backplate¹.
 - d. Remove the green 8-pin connector from the housing.
 - e. Discard the green 8-pin connector¹.
 - f. Discard the blade terminal¹.



¹ This part is not used when the remote indicator is replaced. Discard components in accordance with local, regional and national guidelines. If it is necessary to replace this part, refer to the remote indicator installation instructions in the CM130 manual.

2. Remove and discard the cover of the installed remote indicator as follows:
 - a. Loosen the captive screw at the top of the remote indicator.
 - b. Remove and discard the cover¹.
3. Loosen the two captive screws that are on the left and right side of the remote indicator.

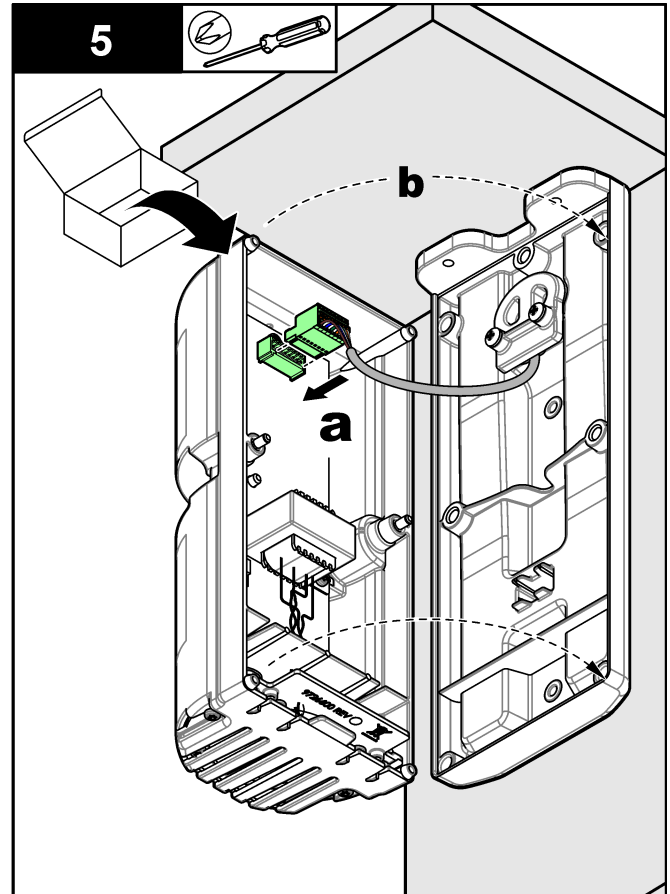
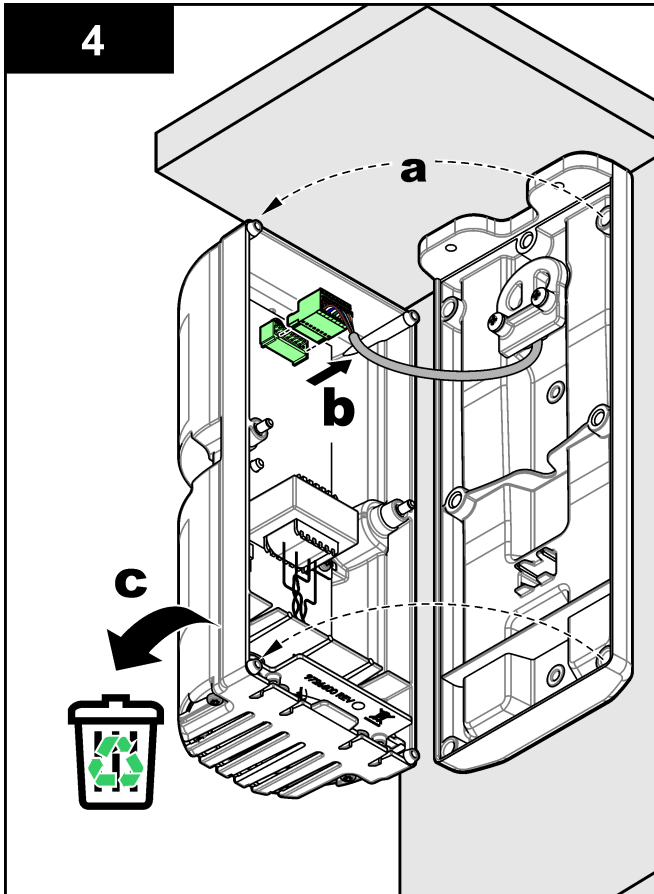


4. Remove and discard the housing of the installed remote indicator as follows:

- a. Remove the housing.
- b. Disconnect the remote indicator cable from the housing.
- c. Discard the housing¹.

5. Install the new housing as follows:

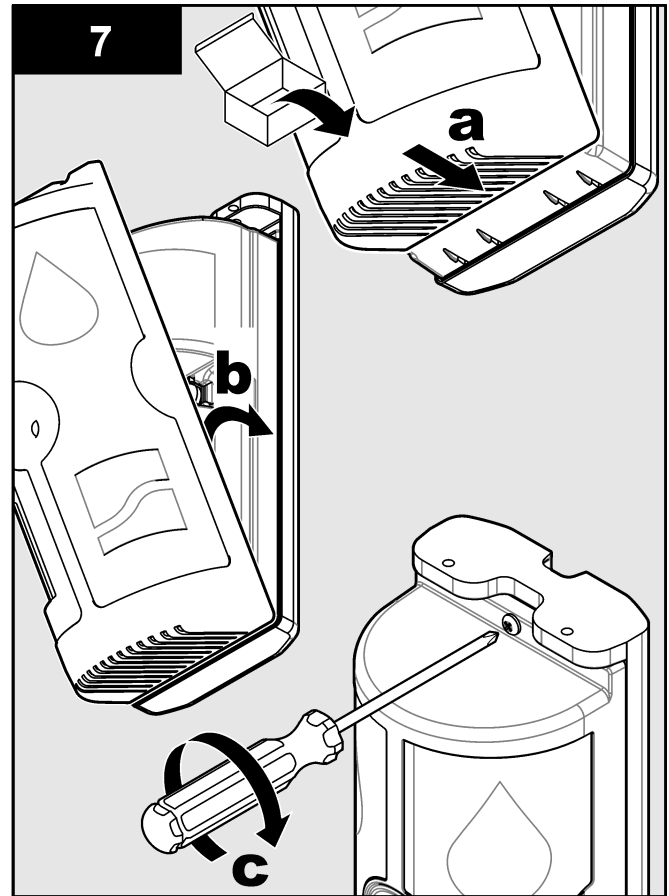
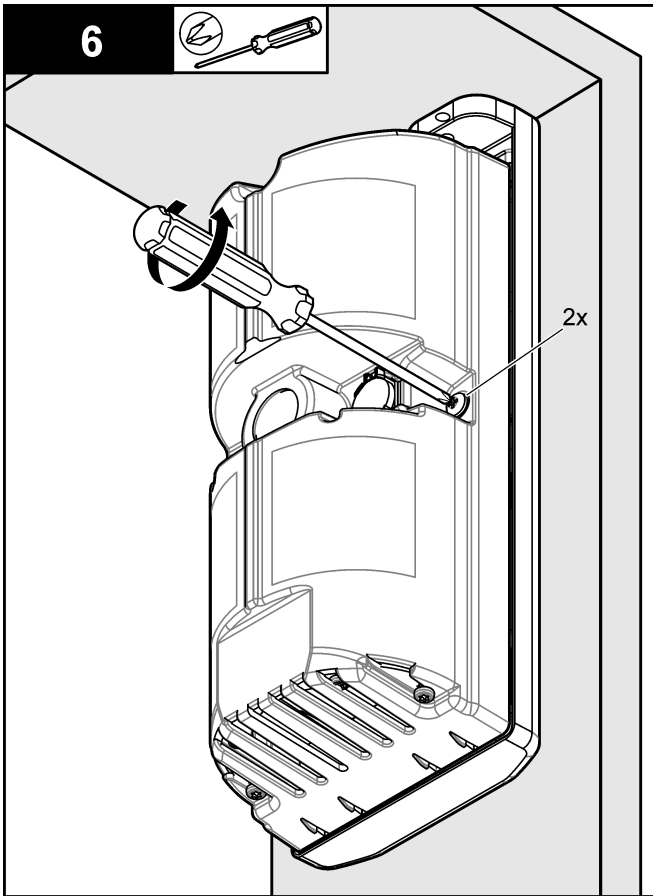
- a. Connect the remote indicator cable to the housing.
- b. Install the housing on the backplate.



6. Attach the housing to the backplate with the two captive screws.

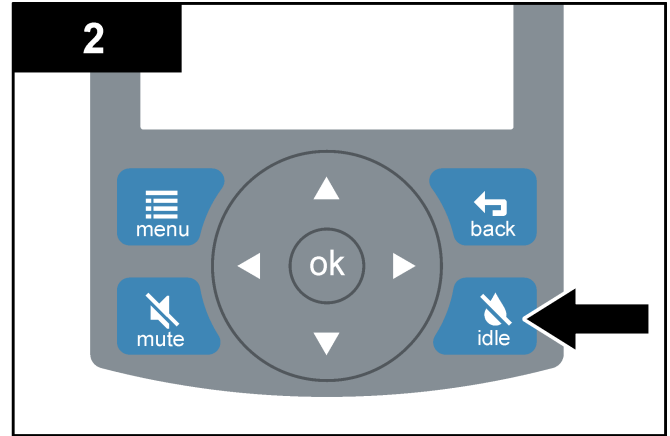
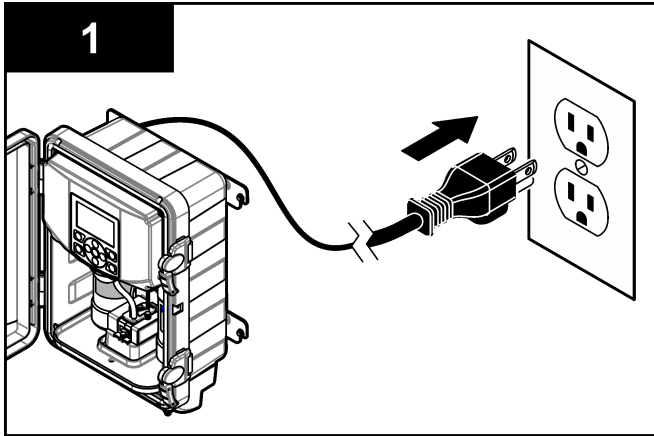
7. Install the cover as follows:

- a. Align the four tabs on the bottom of the housing with the vent slots on the bottom of the cover.
- b. Put the cover over the housing.
- c. Attach the cover to the housing with the captive screw.



Start the analyzer

1. Connect the power cord to the electrical outlet. Wait for the home screen to show on the display (approximately 2 minutes). The home screen has the word "Idle".
2. When the home screen shows on the display, push **idle** and select continue to set the analyzer to measurement mode. Close the door.



HACH COMPANY
100 Dayton Ave, Ames, IA 50010 U.S.A.
Tel. (970) 669-3050
(800) 227-4224 (U.S.A. only)
Fax (970) 669-2932
orders@hach.com
www.hach.com

